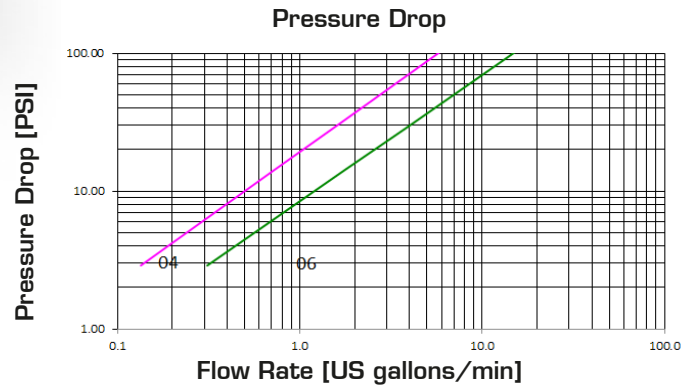
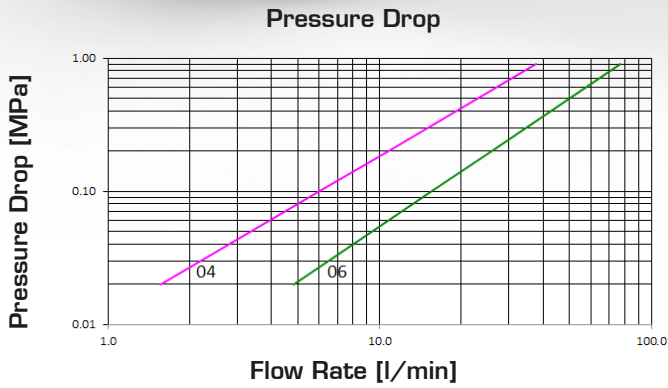




SCREW TYPE HYDRAULIC CYLINDERS (POPPET)



Q.SAFE 444

TECHNICAL DATA

SIZE			WORKING PRESSURE (Dynamic)		RATED FLOW at 0.2 MPa of pressure drop		OIL SPILLAGE Connection/ Disconnection		MINIMUM BURST PRESSURE						CONNECTION/ DISCONNECTION UNDER PRESSURE
DN	inch	Dash	MPa	PSI	l/min	US GPM	cc.	cubic inch	Male		Female		M & F		
									MPa	PSI	MPa	PSI	MPa	PSI	
6.3	1/4	04	70	10150	11	2.9	0.4	0.024	350	50750	310	44950	320	46400	RESIDUAL PRESSURE
10	3/8	06	70	10150	26	7	0.6	0.037	280	40600	300	43500	280	40600	RESIDUAL PRESSURE

The rated flow represents the normal operating condition. The maximum recommended flow rate is equal to 1.5 times the rated flow

PRODUCT DESCRIPTION

- Screw-type couplings specially designed for very high pressure applications on cylinders and hydraulic rams
- Connection and disconnection is made by screwing the sleeve and can be made with residual pressure in the line
- Connection secured on the thread between the sleeve and the male coupling
- Shut-off by poppet valve provides effective hydraulic sealing
- Interchangeable with other products and widely used in the USA and Europe
- ISO 14540 compliant

MATERIAL

Female and male coupling in steel. Carbonitrided valve, springs in C98 steel, seals in NBR (other materials available on request) and back-up ring in PTFE

WORKING TEMPERATURE

-22°F up to +230°F (-30°C up to +110°C)
Specific seals available in case of higher temperatures

SAFETY FACTOR

4:1 for dynamic pressures

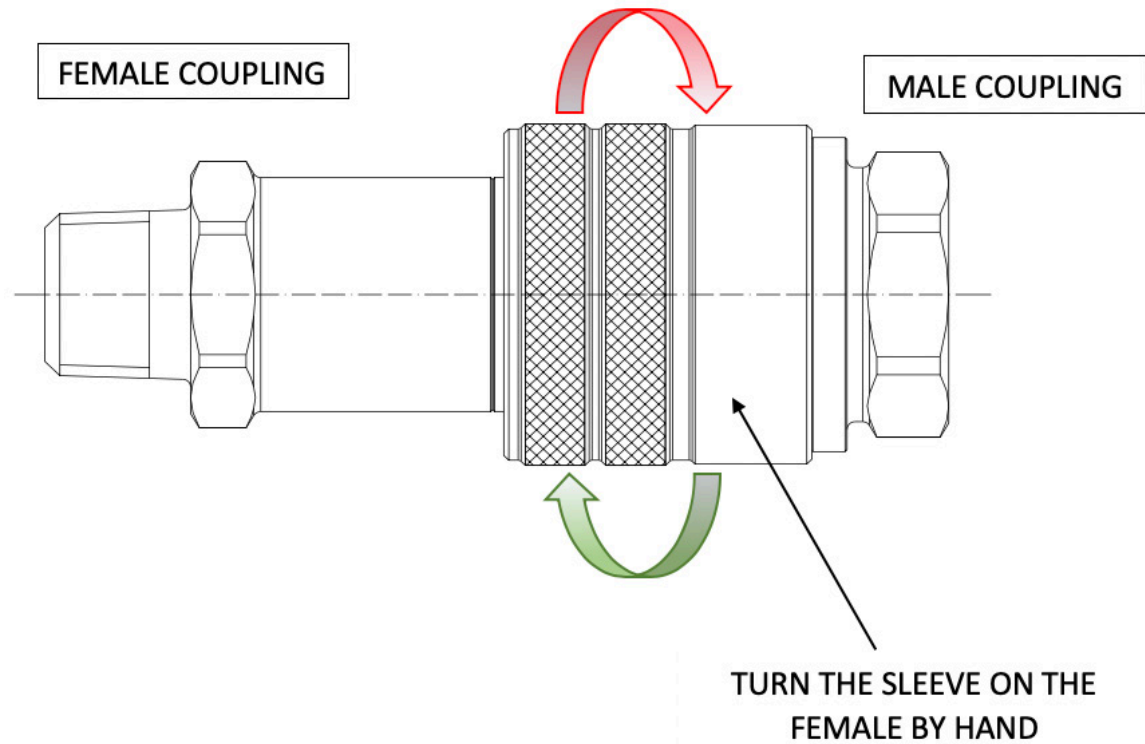
IMPULSE PRESSURES

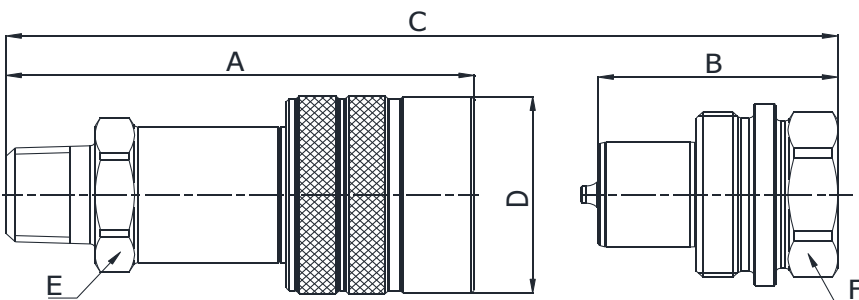
10,000 cycles at 100% of the rated one (freq. 1Hz)

TEST SPECIFICATIONS

ISO 18869

ASSEMBLY INSTRUCTIONS

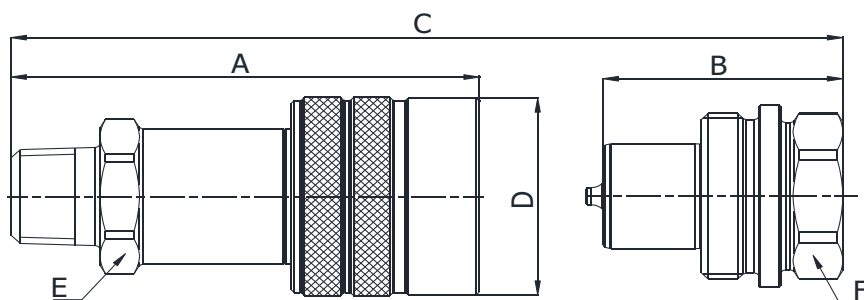




Q05611280B

NPT TERMINATION ENDS
TO ANSI B1.20.3

SIZE			PART NUMBER		THREAD	DIMENSIONS mm					
DN	Inch	Dash	Female coupling	Male coupling		A	B	C	D	E	F
6.3	1/4"	-04	Q05611280B-04-04	-	1/4" NPTF	62.4	-	A+B-19	ø30	21	-
10	3/8"	-06	Q05611280B-06-04	-	1/4" NPTF	76	-	A+B-25	ø35,6	25	-
10	3/8"	-06	Q05611280B-06-06	-	3/8" NPTF	76	-	A+B-25	ø35,6	25	-



Q05511341B

NPT TERMINATION ENDS
TO ANSI B1.20.3

SIZE			PART NUMBER		THREAD	DIMENSIONS mm					
DN	Inch	Dash	Female coupling	Male coupling		A	B	C	D	E	F
6.3	1/4"	-04	-	Q05511341B-04-04	1/4" NPTF	-	34	A+B-19	-	-	22
10	3/8"	-06	-	Q05511341B-06-04	1/4" NPTF	-	39	A+B-25	-	-	27
10	3/8"	-06	-	Q05511341B-06-06	3/8" NPTF	-	39	A+B-25	-	-	27